

Administration Guide

CADD-Prizm[®] Pump

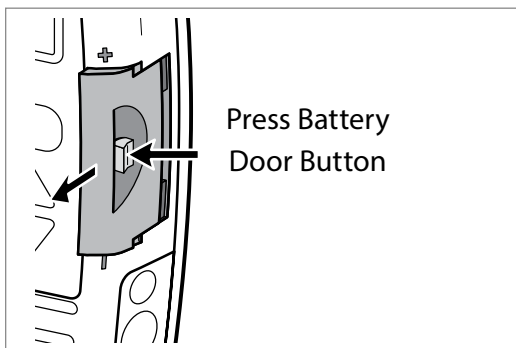
Before you begin

There are important steps you must take before you begin. Please refer to your SASH Teaching Mat for more details.

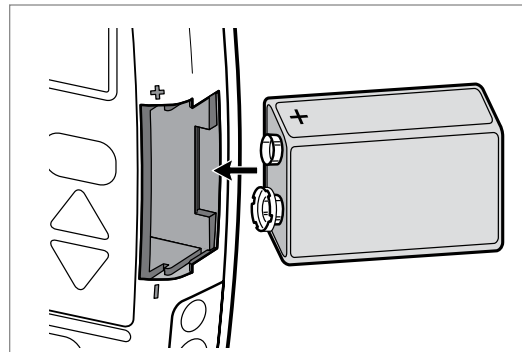
1. **Clean** your work area.
2. **Wash** your hands.
3. **Gather** your supplies:
 - CADD-Prizm pump
 - Pump tubing
 - Alcohol pads
 - 9 Volt battery
 - Pump key or coin (penny)
 - Medication bag
 - Pre-filled saline syringes
 - Pre-filled heparin syringes (if ordered)
 - Pump carrying bag (if instructed to use)
 - Sharps container (if using needles)

Insert Batteries

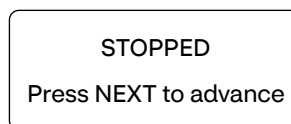
1. If the pump is already running, stop the pump by pressing **Stop/Start**.
2. When **Stop the Pump** appears, press **Y**.
3. Open the battery door by pressing the white button. Slide the door cover off.



4. Remove the used battery.
5. Insert the new battery. The pump beeps if the battery is inserted correctly.



6. Put the battery door back on.
7. The pump will power up for a few moments. When the pump is ready, it will beep several times and the following screen will appear:

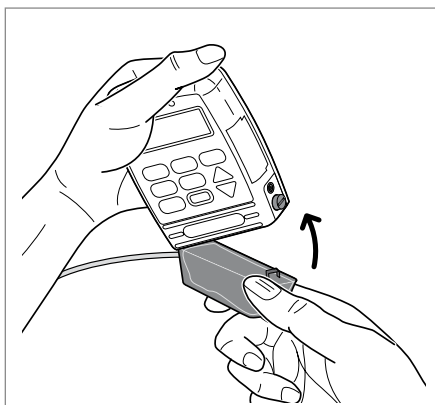


Prepare Administration Tubing

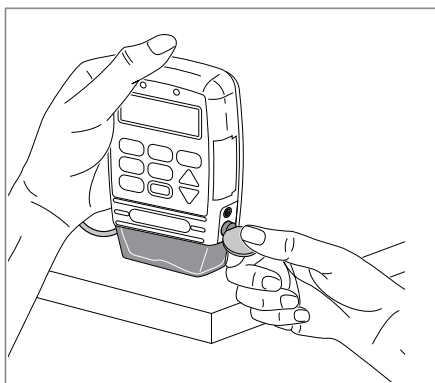
1. Take the administration tubing out of the package. Remove any paper tape.
2. Remove the blue plastic clip from the cassette.
3. Remove the tab from the medication bag.
4. Remove the cap from the spike end of the administration tubing. Do not touch the spike.
5. Push and twist the spike of the administration tubing into the medication bag.

Attach Administration Tubing to the Pump

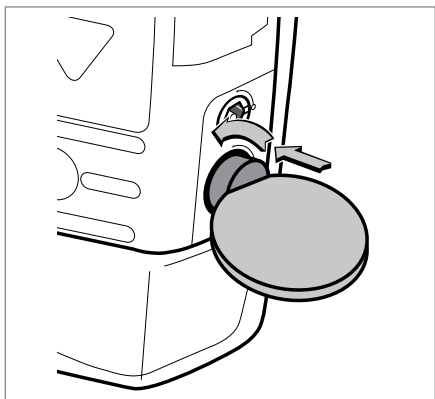
1. Insert the hooks on the top of the cassette around the hinges on the bottom left of the pump.



2. Place the pump on a table. Firmly press down so the cassette fits securely against the pump.



3. Insert the side of the pump key or a coin into the latching button.
4. Firmly push the button in. Twist it counterclockwise until the slot in the button is lined up vertically.



When the administration tubing is loaded properly, the screen displays **Admin set latched. Upstream sensor on. Next to continue.**

5. Press **Next**. You are now ready to prime the tubing.

Prime the Tubing

1. If **Reset Reservoir Volume?** appears:
 - To reset the pump for a new bag, press **Y**.
 - To continue a bag that was already running, press **N**.
2. When the **Disconnect Tubing** notice appears, make sure you are not connected to the IV catheter. Check to make sure all the clamps are open.
3. **DO NOT** remove the cap from the end of the administration tubing. The medication will be able to flow out around it.
4. To start priming, press and hold **Y** until IV fluids reach the end of the tubing.
5. To stop priming, release **Y**.
6. When **Continue Priming** appears, press **N**.
7. You may also access the prime feature by pressing the **OPTIONS** menu. Press **ENTER** on the prime screen.

Flush Your Catheter

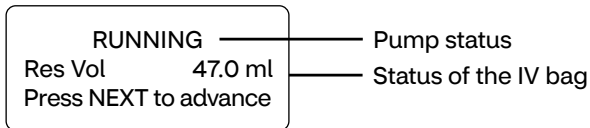
Please refer to your SASH Teaching Mat for more details.

Connect the Tubing to the Catheter

1. Scrub the catheter injection cap with a new alcohol pad for 15 seconds, and let it air dry for five seconds. Be careful not to touch the top of the injection cap with your fingers while you are cleaning it.
2. Connect the end of the administration tubing to the catheter injection cap. Twist on until secure.
3. Open all clamps.

Start the Pump

1. Press **Stop/Start**.
2. When **Start the Pump** appears, press **Y**. The pump completes a “self-test.” After this sequence finishes, the main screen will appear and the pump will start the infusion. The green light will blink to indicate the pump is infusing.



Stop the Pump

1. When your infusion is complete, press **Stop/Start**.
2. When **Stop the Pump** appears, press **Y**.
3. The pump will stop and **STOPPED** will appear on the main screen. The amber light will blink.

Note: You must remove the battery to completely turn off the pump.

Remove the Administration Tubing Cassette

1. Clamp the administration tubing and disconnect it from your IV catheter.
2. Use the side of the pump key or a coin to turn the latching button clockwise until the slot is horizontal and the button pops out.

Note: If you are in PCA mode, you will need to use the narrow end of the key to unlock the pump before you remove the administration tubing.

3. Remove the administration tubing cassette from the pump. Discard it as instructed.

Flush Your Catheter

Please refer to your SASH Teaching Mat for more details.

Troubleshooting

Most pump problems are easy to fix. If any of these tips do not help you solve the problem, or if you have any questions, call your Coram^{®*} nurse or pharmacist.

Pump Problem	Troubleshooting Tips
Prime screen does not appear when I install a new administration tubing	<p>You may have installed the administration tubing cassette before you put in a new battery. As a result, the pump cannot tell that the tubing is new.</p> <ol style="list-style-type: none"> 1. Remove the administration tubing cassette from the pump. 2. Attach the administration tubing again. 3. Press Next. The message Prime Tubing? should appear.
Low battery alarm	<p>If you hear a series of beeps and the screen displays Low Battery, replace the battery with a new one.</p>
High-pressure alarm	<p>If you hear an alarm and the screen displays High Pressure, check your IV catheter and administration tubing to make sure it is not clamped or kinked. If a clamp or kink was causing the high-pressure alarm, the pump will restart as soon as you fix the problem.</p> <p>If the alarm continues:</p> <ol style="list-style-type: none"> 1. Stop the pump and disconnect the administration tubing from your IV catheter. Keep the end of the administration tubing sterile. 2. Flush your IV catheter with saline. If the IV catheter flushes without resistance, reconnect the administration tubing to your IV catheter. 3. Start the pump. <p>IMPORTANT: If your IV catheter is hard to flush, call your Coram nurse or pharmacist.</p>

Pump Problem	Troubleshooting Tips
<p>Empty Reservoir appears on pump screen after new medication bag has been attached</p>	<p>You may have installed the administration tubing cassette before you put in a new battery. As a result, the pump cannot tell that the tubing is new.</p> <ol style="list-style-type: none"> 1. Remove the administration tubing cassette from the pump. 2. Attach the administration tubing again. Press Next. Reset Reservoir Volume? should appear. Press Y for yes. 3. Start pump.
<p>Upstream Occlusion appears on pump screen (model 6101)</p>	<p>Medication is not being delivered from the bag to the pump.</p> <ol style="list-style-type: none"> 1. Check for kinks between the medication bag and pump. 2. Ensure the spike on the administration tubing is fully inserted into the medication bag.

Want to learn more?

Visit our Resource Center at [CoramHC.com](https://www.coramhc.com).

Select pump device images are directly from Smiths Medical ASD, Inc. CADD, CADD-Prizm, and the CADD and Smiths Medical design mark are trademarks of Smiths Medical.

SASH (SASH=S: Saline; A: Administration of Medication; S: Saline; H: Heparin).

IV (intravenous)

PCA (Patient Controlled Analgesia)

*Coram CVS Specialty® Infusion Services

This information is not a substitute for medical advice or treatment. Talk to your doctor or health care provider about this information and any health related questions you have. Coram assumes no liability whatsoever for the information provided or for any diagnosis or treatment made as a result of this information.

Your privacy is important to us. Our employees are trained regarding the appropriate way to handle your private health information.

©2023 CVS Health and/or one of its affiliates. All rights reserved.
75-54158B 110123 ©